



Main Features:-

- ◆ Flanged PN16
- ◆ Cast Iron Body & Bonnet, Stainless Steel Disc
- ◆ Stem & Seat, Graphite Packing
- ◆ Rated PN16
- ◆ Temperature -10°C to 300°C

*Temperature and pressure determined by valve body, seat etc.



SERIES: 30106

MANUFACTURER: **AVOL**
INDUSTRIAL VALVES

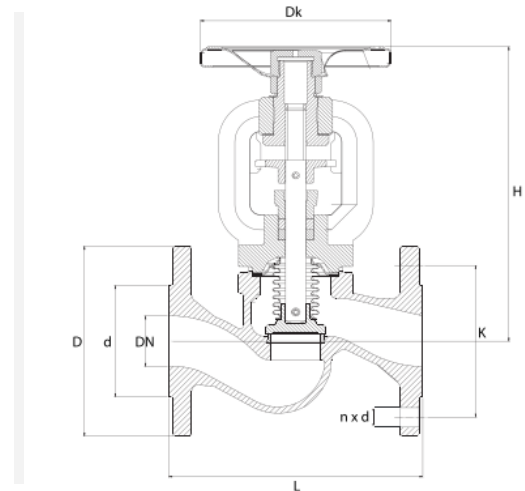
Suitable Applications & Approvals:



INDUSTRY

VALVE DIMENSIONS

Name	Materials
Body	Cast Iron
Seat Ring	X12Cr13
Bonnet	Cast Iron
Stem	X12Cr13
Hand Wheel	Steel
Gland	11SMnPb30
Disc	X20Cr13
Bellow	X6CrNiMoTi-17-12-2
Sleeve	11SMnPb30
Gland Packing	Graphite
Bonnet Gasket	Graphite + CrNiSt
Hexagon Bonnet	8.8



DN	D	d	K	nxd	Dk	h	L	H	Kv	Kg
15	95	46	65	4x14	125	5	130	178	5.9	3.2
20	105	56	75	4x14	125	5	150	178	7.4	3.9
25	115	65	85	4x14	125	7	160	193	9.4	4.6
32	140	76	100	4x19	125	8	180	201	18	6.5
40	150	84	110	4x19	150	10	200	224	30	9
50	165	99	125	4x19	150	13	230	228	41	11
65	185	188	145	4x19	175	17	290	370	70	15.8
80	200	132	160	8x19	200	20	310	295	115	20.5
100	220	156	180	8x19	250	25	350	325	181	35
125	250	184	210	8x19	300	32	400	380	225	49
150	285	211	240	8x23	400	38	480	427	364	76
200	340	266	295	12x23	500	50	600	569	725	130.5



T +44 (0)1386 552369

E sales@allvalves.co.uk

W www.allvalves.co.uk

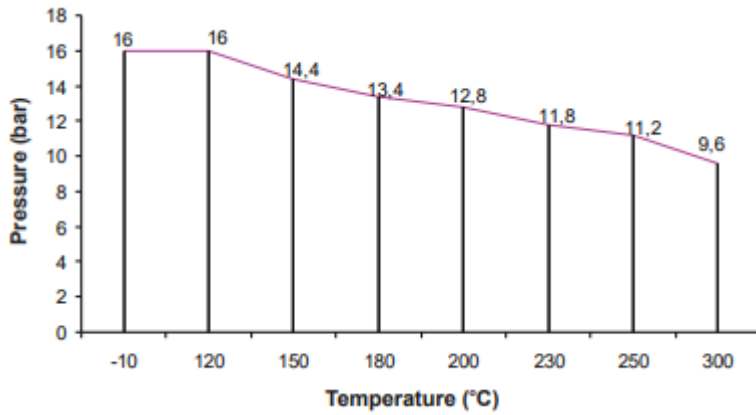
F +44 (0)1386 554227



AVOL valves are our range of industrial valves selected by our experienced technical sales team.

SERIES: 30106

Pressure/ Temperature Chart



ALL VALVES ONLINE

Offering a full range of actuated valve packages, manual valve range, pipe fittings and pumps, we have a product for all your requirements. As an ISO 9001-2015 Quality Approved and certified company, All Valves offer a quality service from pre-sale to post sale. Shipping millions of pounds in value of manual valve and actuated valve packages all over the world since its formation, All Valves are a trusted valve and actuator supplier to many companies all over the world. Working with the leading brands in most industries.

PRESSURE/TEMPERATURE CHART



T +44 (0)1386 552369

E sales@allvalves.co.uk

W www.allvalves.co.uk

F +44 (0)1386 554227